



## S67 Inline Sliding Door



Introducing the S67 Inline sliding door, a modern, versatile solution that seamlessly blends high performance with contemporary design. Engineered to meet the highest UK standards, this aluminium sliding door system offers reliability and flexibility for a wide range of renovation projects and new build. The S67 achieves 1.4 W/m<sup>2</sup>K U-value with double glazing.

Compatible with a multi-point lock and equipped with a low threshold, the S67 sliding door ensures security and comfort of use on all occasions.

#### DESIGN FEATURES

- › Mitre cut frame
- › Standard and reinforced interlock available
- › Glazing Gaskets available in Black
- › Low Threshold 22mm
- › Maximum weight per leaf of 200kg

#### OPTIONS

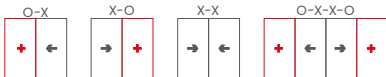
- › Glazing sizing range of 24mm - 32mm
- › Multipoint lock
- › Single or dual colour with textured or anodised finishes
- › 2 to 6 sash configurations available
- › Double and Triple track options available

## SPECIFICATIONS

| Performance and accreditations                                 | S67                        |
|--|----------------------------|
| U-value (Double Glazing) ( $U_g = 1.0 \text{ W/m}^2\text{K}$ ) | 1.4 $\text{W/m}^2\text{K}$ |
| Air Permeability   | Class A4 (600Pa)           |
| Water Tightness  | Class 9A (600Pa)           |
| Wind Resistance  | Class B3 (1200Pa)          |
| Acoustic   | 30-40 dB                   |
| <b>System</b>  |                            |
| Depth  | 67 mm                      |
| <b>Configurations</b>  |                            |
| Double Track   | ✓                          |
| Triple Track   | ✓                          |
| <b>Size and weight limits</b>                                  |                            |
| Max Leaf Height  | 2700 mm                    |
| Max Leaf Width   | 3000 mm                    |
| Max Vent Weight  | 200 kg                     |
| <b>Glazing</b>   |                            |
| Glazing Thickness  | 24 - 32 mm                 |
| <b>System Features</b>   |                            |
| Single Colour  | ✓                          |
| Dual Colour  | ✓                          |
| Textured Finish  | ✓                          |
| Anodised Finish  | ✓                          |
| Multi-Point Locking  | ✓                          |
| Sightline Interlock  | 35mm                       |
| Sightline Cill   | 107.1mm                    |
| Sightline Head   | 107.1mm                    |
| Sightline Jamb   | 112.6mm                    |

## CONFIGURATIONS

### DOUBLE TRACK



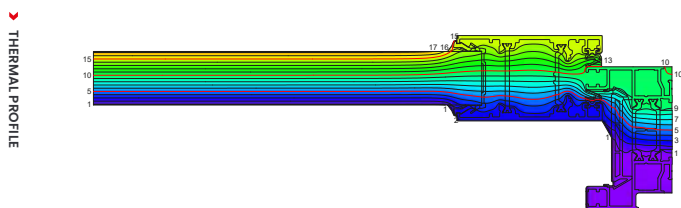
### TRIPLE TRACK



### KEY



## THERMAL PROFILES

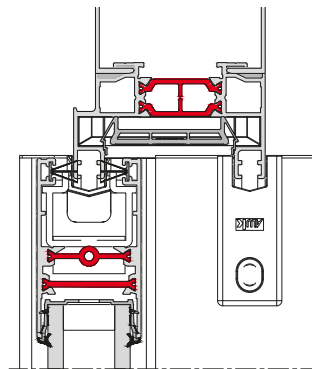


Performance data based on extended sizes for Building Regulations.  
For full test performance details please contact Technical Services.  
AluK recommends checking all system performance for any scheme prior to use.

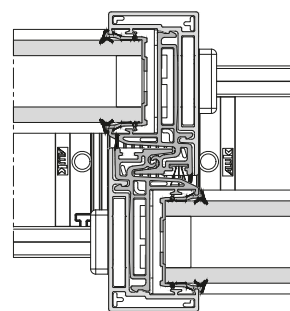
## CAD CROSS SECTIONS AND THERMAL PROFILE

Additional details are available on request.

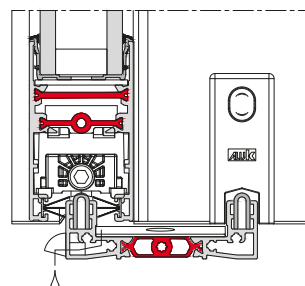
### DOUBLE TRACK HEAD



### DOUBLE TRACK / TRIPLE TRACK INTERLOCK



### DOUBLE TRACK LOW THRESHOLD



### DOUBLE TRACK CILL

